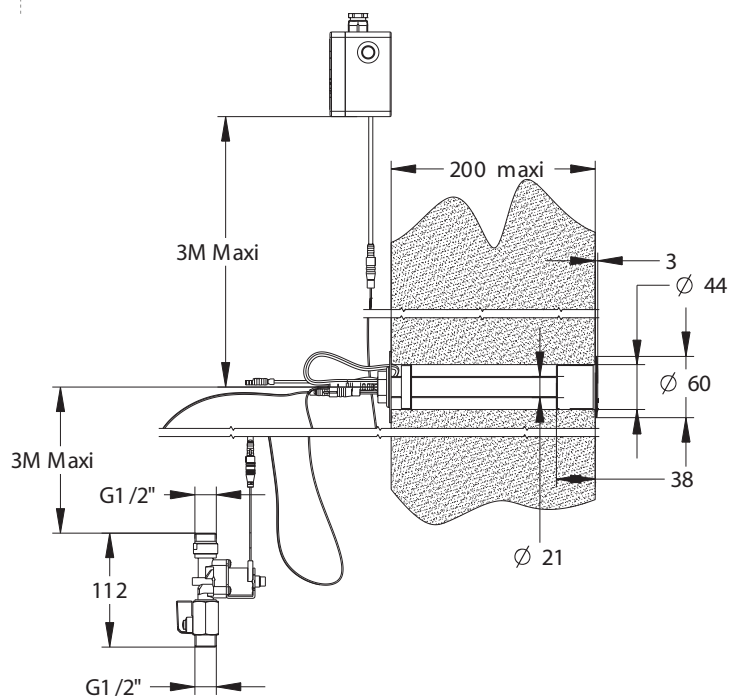


Range: Sensor urinal valve for cross-partition control

Ref: 52505 - Through-the-wall kit with sensor urinal valve (partition from 30 to 200 mm)



> Application:

- For urinal: induct mounting (for partition from 30 to 200mm)

> Working pressure:

- 1 to 5 bar

> Flow:

- 8 l/min with the supplied flow regulator (for standard urinals)
- 20 l/min at 1 bar with the flow regulator removed (for siphonic urinals)

> Flow time:

- 6 seconds

> Range:

- Preset to 550 mm, adjustable with Prestocom® control kit

> Hydraulic supply:

- On a G 1/2" (15x21) stop valve

> Power supply:

- Mains with 230 VAC/7 VDC transformer in IP65 waterproof case

> Material and color finish:

- Chromed plated brass

> Security:

- The solenoid valve closes automatically if the sensor is damaged
- Automatic flushing every 24 hours after the last use

> Delivered with:

- 1 Lynx infrared cell for partition 30 to 200 mm supplied with 3 m cable
- 1 G1/2" (15x21) solenoid valve
- 1 Stop valve
- 1 Filter gasket
- 1 Transformer (IP65 casing)
- 1 Instruction manual

> Standards & approvals:

- Molded chrome-plated body in accordance with EN 12540
- 200-hour neutral salt spray resistant (NSS) in accordance with ISO 9227

