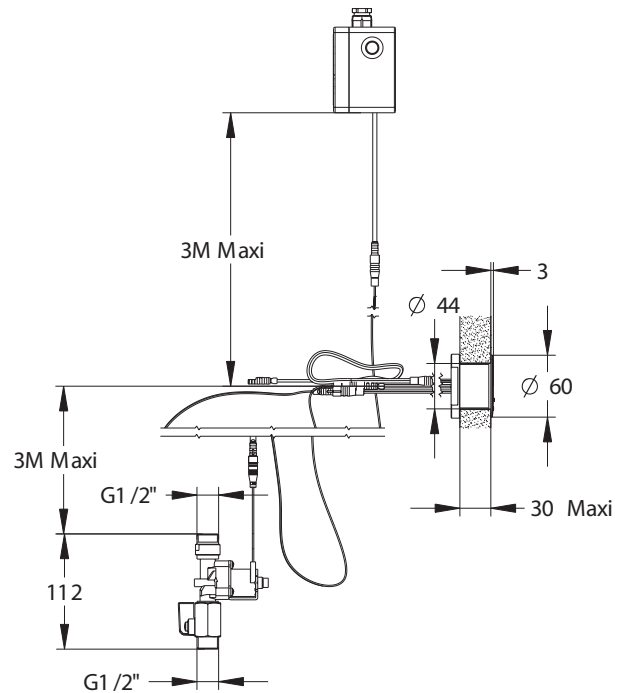


Range: Modular detection

Ref: 52500 - Modular sensor detection for washbasin, cross-partition 1-30mm, 3l/min, mains



> Recommended working pressure :

- 1 to 5 bar

> Function:

- Sensor trigger suitable for PRM, elderly, children and disabled people
- Starts and stops automatically by hand detection
- Person detection mode possible with specific parameters and installation

> Flow:

- 3l/min at 3 bar with integrated regulated anti-limescale aerator

> Detection range:

- Preset at 20cm (adjustable with Prestocom® kit)

> Hydraulic supply:

- On a MF G 1/2" (15x21) stop valve with cold or premixed water

> Power supply:

- Mains-operated with 230 V AC / 7 V DC transformer in IP65 waterproof case

> Material and finish:

- Chromed plated brass

> Thermal resistance:

- Resistant to a continuous temperature of 65°C

> Security:

- Anti-overflow security time set to 30 seconds preventing the water to flow continuously
- Automatic shutdown of solenoid valve in case of power failure or sensor damage
- Hygienic duty flush of 30 sec every 24h after last use (adjustable flow time and frequency with PRESTOCOM toolkit: <https://www.presto.fr/apropos/prestocom/>)

> Installation recommendation:

- On panel or thin partition from 1 to 30mm
- Do not place in front of mirrors or reflective surfaces
- For hand detection mode (default), place the cell below the spout
- For person detection mode, consult the technical service

> Delivered with:

- 1 Detection module for thin partition
- 1 Solenoid valve G1/2"
- 1 Transformer
- 2 cables of 3m
- 1 MF G1/2" stop valve
- 1 Installation manual

> Standards & approvals:

- Molded chrome-plated body in accordance with EN 12540
- 200-hour neutral salt spray resistant (NSS) in accordance with ISO 9227
- Safety transformer according to EN 60 742

Ce document n'est pas contractuel ; nous nous réservons le droit de modifier les caractéristiques de nos produits sans préavis. Toutes nos marques et tous modèles sont déposés.

