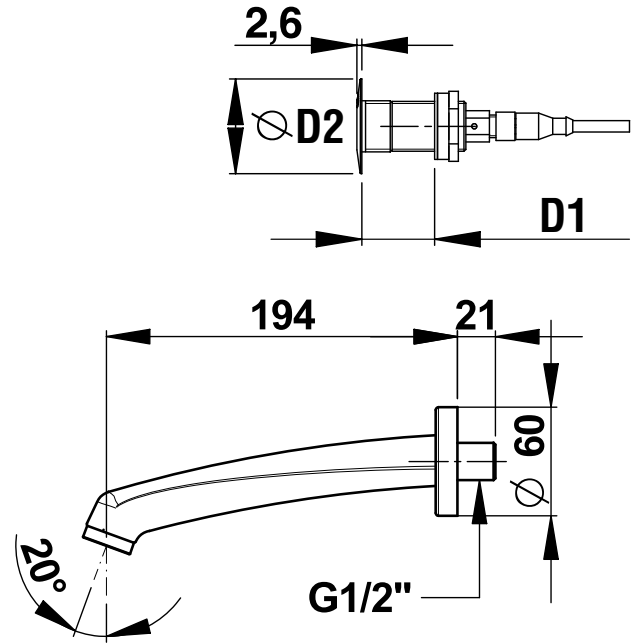


**Range:** Modular detection

**Ref:** 52471 - Ready-to-install kit with single sensor tap and extra-flat cell for washbasin | Partition 50-200mm



**> Working pressure :**

- 1 to 5 bar

**> Application :**

- For washbasin : induct mounting (for partition from 50 to 200mm)

**> Function:**

- Sensor trigger suitable for elderly, children and disabled people

**> Flow :**

- 10l/min with water limiter
- Anti-water-hammering design

**> Flow time :**

- 1 to 30 seconds adjustable

**> Range :**

- From 100 to 700 mm - Pre-set at 200 mm

**> Hydraulic supply :**

- On G 3/4" solenoid valve - Cold or mixed water

**> Power supply :**

- 230 V / 12V - 6VA Transformer (IP65 casing) included

**> Thermal resistance :**

- Resistant to a temperature of 75°C for 30-minute-thermal-shocks

**> Delivered with :**

- 1 IP65 detection cell - For partitions 50 to 200 mm thick and 2m of cable
- 1 long anti water-retention spout G 1/2" (15x21) for wall thick from 1 to 200mm
- 1 G 3/4" solenoid valve
- 1 Stop valve
- Transformer (IP65 casing)

**> Standards & approvals :**

- Molded chrome-plated body in accordance with EN 12540
- 200-hour neutral salt spray resistant (NSS) in accordance with ISO 9227
- Security transformer in accordance with EN 60 742

Ce document n'est pas contractuel ; nous nous réservons le droit de modifier les caractéristiques de nos produits sans préavis. Toutes nos marques et tous modèles sont déposés.

