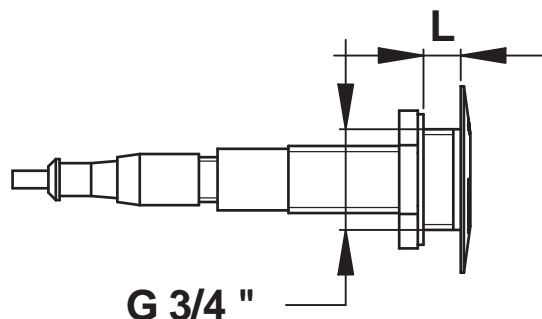


Range: Single sensor tap for washbasin or shower

Ref: 52462 - Modular detection for service duct



> Application field :

- For washbasin or shower
- In duct mounting (for partition from 50 to 200mm), dismantling from the rear of the partition

> Working pressure :

- 1 to 5 bar

> Flow :

- 10 l/min with integrated flow limiter
- Anti-water-hammering device

> Flow time :

- To be set from 1 to 30 seconds

> Range :

- From 100 to 700 mm - Pre-set à 200 mm

> Hydraulic supply :

- On G 3/4" solenoid valve - Cold or mixed water

> Power supply :

- 230 V / 12V - 6VA Transformer (IP65 casing) included

> Thermal resistance :

- Resistant to a temperature of 75°C for 30-minute-thermal-shocks

> Delivered with :

- 1 IP65 detection cell - For partitions 50 to 200 mm thick and 2m of cable
- 1 G 3/4" solenoid valve
- 1 Stop valve
- Transformer (IP65 casing)

> Standards & approvals :

- Molded chrome-plated body in accordance with EN 12540
- 200-hour neutral salt spray resistant (NSS) in accordance with ISO 9227
- Security transformer in accordance with EN 60 742

