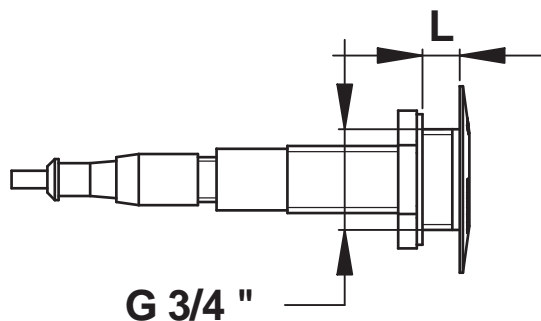


**Range:** Single sensor tap for washbasin or shower

**Ref:** 52460 - Modular detection for service duct



#### > Application :

- For washbasin or shower: induct mounting (for partition from 1 to 10mm)

#### > Working pressure :

- 1 to 5 bar

#### > Flow :

- 10 l/min through flow limiter
- Anti-water-hammering design

#### > Flow time :

- To be set from 1 to 30 seconds

#### > Range :

- From 100 to 700 mm - Pre-set at 200 mm

#### > Hydraulic supply :

- On G 3/4" solenoid valve - Cold or mixed water

#### > Power supply :

- 230 V / 12V - 6VA Transformer (IP65 casing) included

#### > Thermal resistance :

- Resistant to a temperature of 75°C for 30-minute-thermal-shocks

#### > Delivered with :

- 1 IP65 detection cell - For partitions 1 to 10 mm thick and 2m of cable
- 1 G 3/4" solenoid valve
- 1 Stop valve
- Transformer (IP65 casing)

#### > Standards & approvals :

- Molded chrome-plated body in accordance with EN 12540
- 200-hour neutral salt spray resistant (NSS) in accordance with ISO 9227
- Security transformer in accordance with EN 60 742

