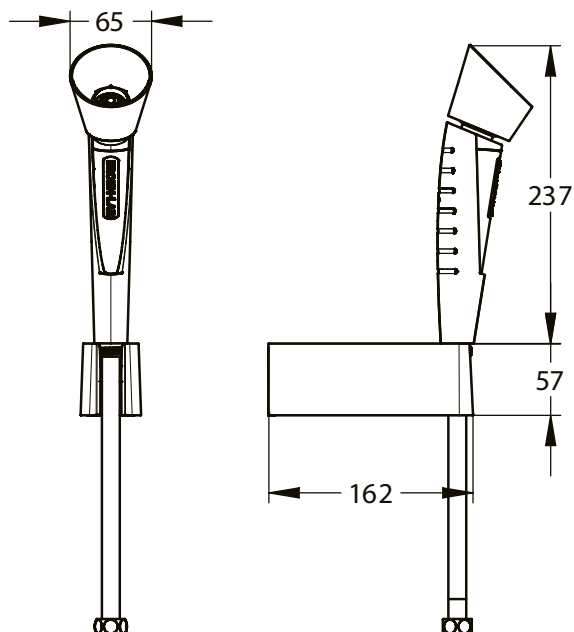
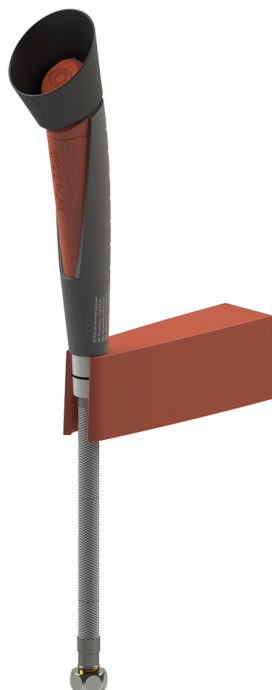


Range: SAFETY EYE-SHOWER

Ref: 85767 - WALL-MOUNTED SAFETY EYE-SHOWER



> Use:

- This product is for use in first aid for burns, chemical contamination among others.
- This product should be placed as close to the workstation.

> Minimum working pressure:

- 1.5 Bar

> Maximum working pressure:

- 10 Bar

> Flow rate:

- 14L/min

> Composition:

- Hand-held shower in polyarylamide, reinforced with glassfibres.
- Handle to trigger the water flow.
- Including bracket for wall mounting.

> Hydraulic supply:

- Male G 1/2"

> Minimum temperature 5 ° C - maximum 80 ° C

> Chemical resistance

> Comply with EN 15154 and ANSI Z358.1 : 2004

> Approximative weight:

- 0.5 Kg