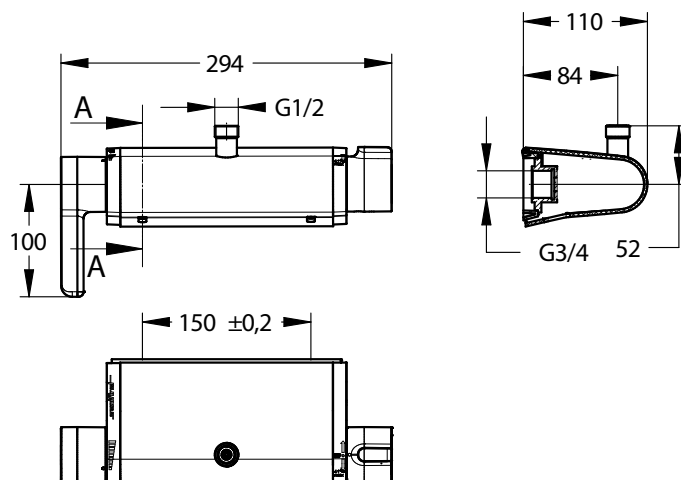


Range: Sanifirst - Healthcare taps

Ref: 75964 - MASTERMIX thermostatic shower mixer - Wall-mounted, upward outlet



> The Product Benefits

- MASTERMIX PATENTED TECHNOLOGY
- Innovative association of a specific ceramic cartridge and a thermostatic cartridge: safety and reliability.
- Without DHW/DCW cross-connection
- Without check valve
- Cold body: anti-scalding insulation
- Body with a smooth interior: limits the risk of bacterial development (legionella, pseudomonas, etc.)
- Intuitive control units
- Temperature limiter (41 ° C) and maximum flow rate stop limiter
- Temperature maintenance and anti-scalding safety
- Quick and easy assembly and maintenance
- Secure thermal shock: accessible only by technical services
- Connection exclusively by means of a fixing plate with connection 3/4" span 150 mm
- Body with docking to the partition: optimized cleaning of all contact surfaces

> Anti-scalding safety

- Temperature knob with temperature limiter at 41 ° C. Unlocking secured for thermal shock and accessible only by technical services without removing the knob.

> Anti-bacterial proliferation safety

- Unique DHW and DCW no cross-connection system, produced by the association of a specific ceramic cartridge and a thermostatic cartridge compliant to NF EN 1111.

> Model

- Shower mixer, upward outlet, wall mounted
- Span 150 mm (+/-) 10 mm
- Ceramic cartridge and thermostatic cartridge compliant to NF EN 1111

> Flow rate

- Factory set to 9 L / min at 3 bar
- Maximum flow rate adjustable to 6 - 9 - 12 L / min by the technical staff

> Recommended pressure

- 3 bar - avoid pressure differences greater than 1 bar between DHW and DCW.
- Minimum pressure: 1 bar.
- Maximum pressure: 5 bar.

> Material

- Chrome-plated zamak.

> Connection

- Connection exclusively by means of a fixing plate with connection 3/4" span 150 mm

> Warranty

- 10 years against any manufacturing defect.
- 3 years for the thermostatic cartridge.