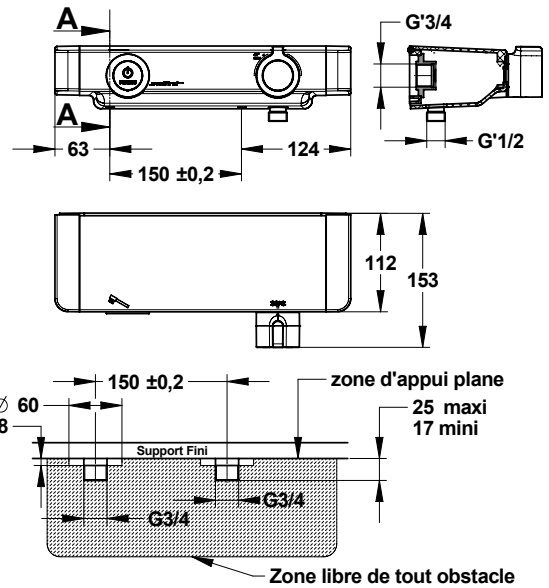


**Range:** Sanifirst - Healthcare taps

**Ref:** 75953 - MASTERMIX TOUCH thermostatic shower tablet - Downward outlet



## > The Product Benefits

- **MASTERMIX TECHNOLOGY**
- Innovative association of 2 solenoid valves and a thermostatic cartridge: safety and reliability.
- Without DHW/DCW cross-connection
- Without check valve
- Cold body: anti-scalding insulation
- Body with a smooth interior: limits the risk of bacterial development (legionella, pseudomonas, etc.)
- Intuitive control units
- Temperature limiter (41 ° C) and maximum flow rate stop limiter
- Temperature maintenance and anti-scalding safety
- Quick and easy assembly and maintenance
- Secure thermal shock: accessible only by technical services
- Connection exclusively by means of a fixing plate with connection 3/4" span 150 mm
- Body with docking to the partition: optimized cleaning of all contact surfaces

## > Anti-scalding safety

- Temperature knob with temperature limiter at 41 ° C. Unlocking secured for thermal shock and accessible only by technical services without removing the knob.

## > Anti-bacterial proliferation safety

- Unique DHW and DCW no cross-connection system, produced by the association of 2 solenoid valves and a thermostatic cartridge compliant to NF EN 1111.

## > Model

- Downward outlet, wall mounted shower tablet
- Span 150 mm (+/-) 10 mm
- 2 solenoid valves and thermostatic cartridge compliant to NF EN 1111

## > Flow rate

- Fixed around 8 L / min at 3 bar

## > Recommended pressure

- 3 bar - avoid pressure differences greater than 1 bar between DHW and DCW.
- Minimum pressure: 1 bar.
- Maximum pressure: 5 bar.

## > Materials

- Mixer body in PBT (thermoplastic polymer). Ends in chrome-plated zamak.
- Inside part of the knobs in white ABS, and knobs in chrome-plated zamak.

## > Connection

- Connection exclusively by means of a fixing plate with connection 3/4" span 150 mm

## > Warranty

- 10 years against any manufacturing defect.
- 3 years for the thermostatic cartridge.