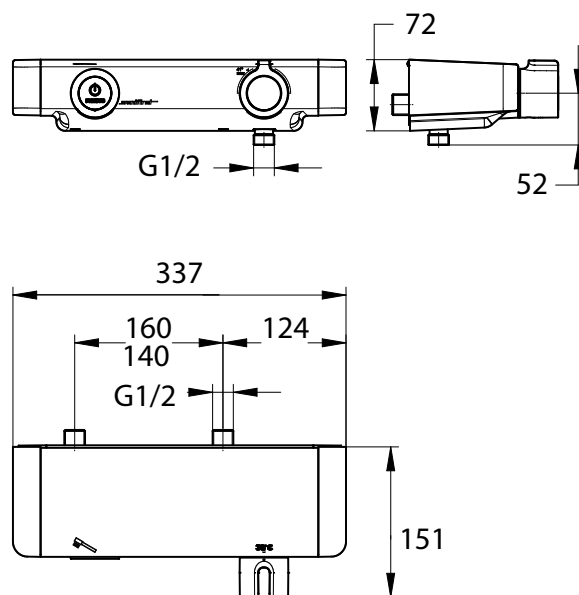


Range: Sanifirst - Healthcare taps

Ref: 75951 - MASTERMIX thermostatic shower tablet - Downward outlet



> The Product Benefits

- **MASTERMIX TECHNOLOGY**
- Ingenious combination of two solenoid valves and thermostatic cartridge: safety and reliability.
- No cross-connection between hot water and cold water.
- Without check-valves
- A simple light touch on the button will activate or stop the water flow. Suitable for mobility-impaired and children.
- START/STOP function. Adjustable flow time delay. Autoflush adjustable by the technical staff. Limits the bacterial proliferation (legionella, pseudomonas...)
- Cold body: anti-scalding insulation
- Body with smooth interior: limits the risk of bacterial proliferation
- Safety temperature limiter (41°C)
- Temperature stability and anti-scalding safety
- Quick and easy Installation and maintenance.
- Safe thermal shock: only accessible by technical staff
- Shower tablet: easy cleaning, no corners, nooks
- "Shelf/tablet" function
- Eccentric connectors with 1/4 turn stop valves included
- Body docking with the wall: optimized cleaning of all contact surfaces

> Anti-scalding safety

- Temperature knob with temperature limiter at 41 ° C. Unlocking secured for thermal shock and accessible only by technical services without removing the knob.

> Anti-bacterial proliferation safety

- Unique DHW and DCW no cross-connection system, produced by the association of a specific ceramic cartridge and a thermostatic cartridge compliant to NF EN 1111.

> Model:

- Shower mixer, downward outlet, wall-mounted thermostatic shower tablet, with soft-TOUCH button
- Span 150 mm (+/-) 10 mm
- Combination of two solenoid valves and thermostatic cartridge compliant to NF EN 1111

> Flow rate

- Fixed around 8 L/min at 3 bar

> Recommended pressure

- 3 bar - avoid pressure differences greater than 1 bar between DHW and DCW.
- Minimum pressure: 1 bar.
- Maximum pressure: 5 bar.

> Materials

- Mixer body in PBT (thermoplastic polymer). Ends in chrome-plated zamak.
- Inside part of the knobs in white ABS, and knobs in chrome-plated zamak.

> Connection

- Connection exclusively using a fixing plate with M G'1 / 2 connection 150 +/- 10mm span integrating shut-off valves, filtration and acoustic connection (supplied).

> Warranty

- 10 years against any manufacturing defect.
- 3 years for the thermostatic cartridge.