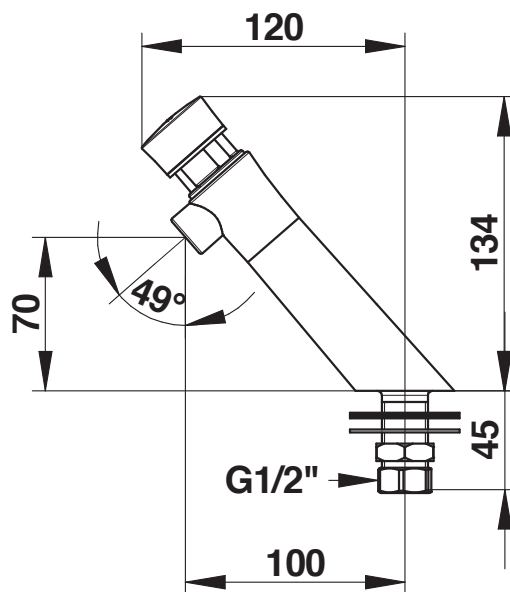


**Range:** Washbasin single self-closing tap  
**Ref:** 65100 - PRESTO NEO deck-mounted tap



#### > Working pressure:

- 1 to 5 bar

#### > Flow:

- 3 l/min at 3 bars - 4-position setting
- Anti water-hammer system

#### > Flow time:

- 15 seconds ± 5 seconds

#### > Hydraulic supply:

- G 1/2" x 40 - hot water

#### > Thermal resistance:

- This tap can withstand a thermal shock of 75°C for 30 minutes as part of a thermal shock programme

#### > Safety:

- Interchangeable head and non-turnable push button to avoid premature wear
- Non-removable red circled marker

#### > Delivered with:

- 1 Nut for 12x14 tube
- 1 Fibre gasket
- 1 Stainless steel plain washer
- 1 Brass clamping nut
- 1 NBR washer
- 1 Installation manual

#### > Standards / Approvals:

- Acoustic class II
- Chrome-plated brass body compliant with standards NF EN1982 / NF EN12164 / NF EN12165
- Nickel-Chrome surface treatment compliant with NF EN12540
- Neutral Salt Spray (NSS) resistant: 200 h according to NF ISO 9227

