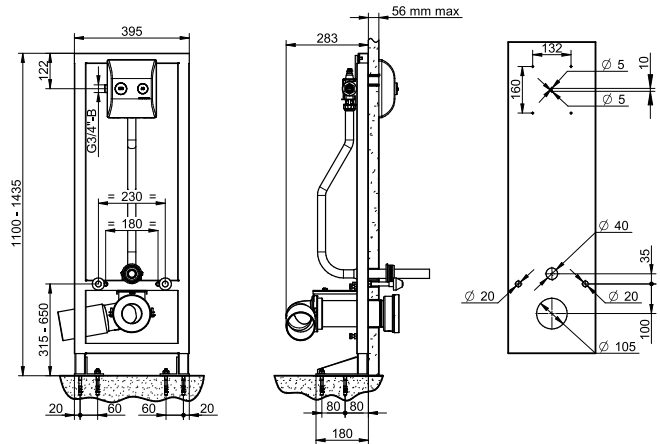


Range: PRESTO 1000 XL DVA (Dual Adjustable Volume) for fire-resistant wall

Ref: 18508 - Self-supporting mounting frame for direct flush valve, cross-partition, 3-6l, S®



> Recommended working pressure:

- 1 to 5 bar

> Discharge volume per flush:

- Large volume: from 6 to 9 liters, adjustable with wrench
- Small volume: from 2.5 to 5 liters, adjustable by the slider on the front plate
- Automatic flow regulator ensuring a constant flow rate of 1 l/s, from 1.2 bar to 4 bar of dynamic pressure
- Anti-water-hammering device: progressive closing device to limit water hammer

> Hydraulic supply:

- Inlet: Right or left on integrated stop valve M G3/4" (20x27)
- Outlet : Ø 32mm

> Material & finish:

- Welded steel support frame protected by 60 micron epoxy powder coating
- Electro-galvanized legs and floor mounting plate
- Brass body flush valve
- Face avant en métal injecté, finition métal broyée anti-empreinte
- Injected metal front plate: brushed chrome-plated metal finish

> Safety:

- Patented anti-blocking "S" system preventing the tap to be blocked in open position to avoid continued water flow
- Vacuum breaker device: prevents the drinking water network from being contaminated by polluted water backflow
- Control plate and power tube of the bowl: As part of an appropriate installation, it allows to comply with the safety rules of a public receiving establishment (PRE), Article CO 31 of the order of June 25, 1980 modified which specifies that no degree of fire resistance is required for the ducts if their nominal diameter is less than or equal to 75 mm, provided the hole is not larger than the diameter of the duct or capillaries running through the wall
- In the event of integration into a fire-resistant partition, the support mounting frame is fitted with a connecting sleeve, a pipe and a reinforcement, all in NF Me (PVC B-s3, d0). As part of an appropriate installation, it complies with the Safety rules requirements of an establishment open to the public (ERP) article CO 31 of the order of June 25, 1980 amended for diameters less than or equal to 125mm. Refer to the instructions for detailed integration diagrams.

> Be careful in the event of integration into a fire-resistant partition in ERP (Establishments Receiving from the Public) :

> The product sold by PRESTO does not cover the following cases:

- Case of crossing a flooring (excluding the PRESTO kit)
- Case of crossing a party wall with a high risk premises
- Case of crossing a party wall with a third party.

> The product sold by PRESTO complies in the following cases:

- Case 1: crossing a vertical wall not resistant to fire in ERP
- Case 2: crossing a vertical wall resistant to fire in ERP, under the implementation conditions indicated in the instructions and detailed integration diagrams.
- This configuration is valid for maximum wall thickness 56mm (equivalent 2 BA13 + tiling for example). For other types of partition, it is up to the installer or manager to adapt the discharge (discharge pipe and connecting sleeve) to its installation and to the compatibility requirements with fire partitions, according to the report of fire resistance of the wall concerned and the safety regulations mentioned above.
- Rear access required for maintenance

> Delivered with:

- 1 Brass coupling nut MF 3/4" (20x27)
- 1 PVC supply tube Ø 32 mm for bowl
- 1 white straight PVC NF Me sleeve
- 1 NF Me PVC sleeve reinforcement
- 1 white pipe bent PVC NF Me
- 1 Fixing plate for NF Me PVC pipe
- Screw and dowel for toilet bowl fixing
- Flush valve mounting plate

> Standards & approvals:

- Acoustic class II
- Brass body in accordance with EN 1982, EN 12164, EN 12165
- Molded chrome-plated front plate in accordance with EN 12540
- 200-hour neutral salt spray resistant (NSS) in accordance with ISO 9227

